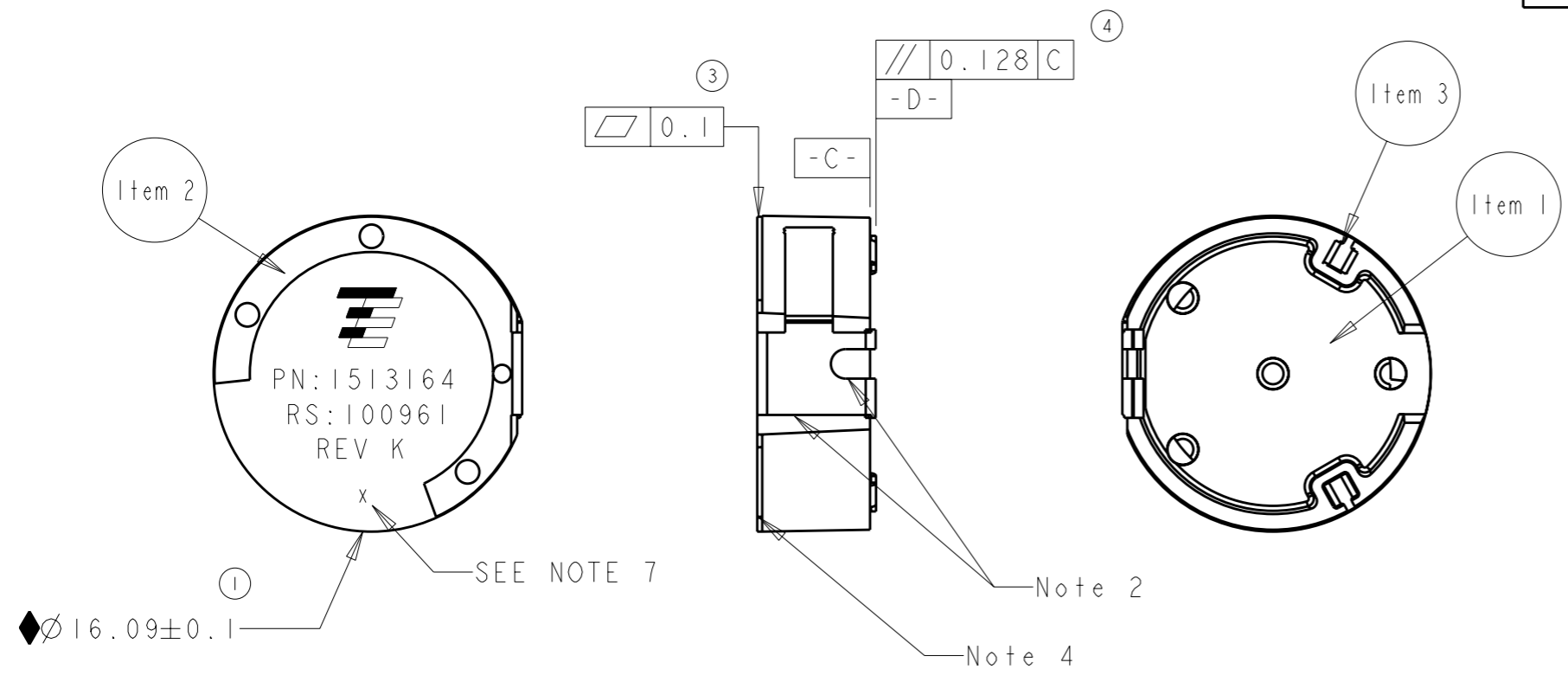
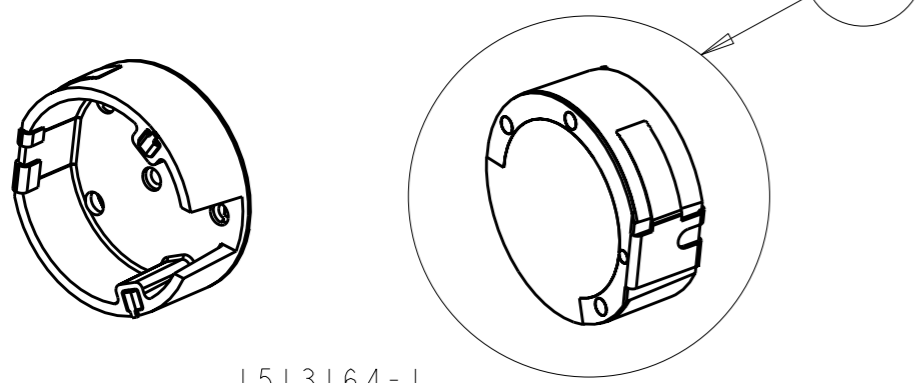
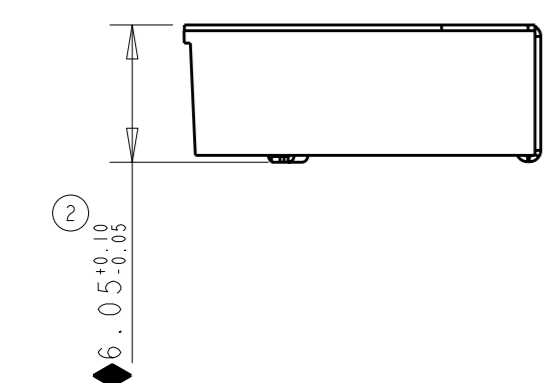


THIS DRAWING IS UNPUBLISHED. RELEASED FOR PUBLICATION 20
 © COPYRIGHT 20 BY TYCO ELECTRONICS CORPORATION. ALL RIGHTS RESERVED.

LOC	DIST	REVISIONS			
P	LTR	DESCRIPTION	DATE	DWN	APVD
HQ	00				
	H	Modify element lengths	29JAN2007	DJL	MAH
	J	Modify element lengths	09JUL2008	DJL	MAH
	J1	Updated product logo	15JUL2008	DJL	MAH
	K	Updated material	23SEP2008	DJL	MAH



- NOTES:
1. Material- Dupont Zenite 6130L BK010
 2. Item 2 insert molded into Item 1. flat side wall of Item 2 to be flush with flat side wall in Item 1.
 3. Item 3 press fit into Item 4.
 4. No air gaps between components.
 5. General tolerance block applies unless otherwise specified.
 6. Part is RoHS compliant per Tyco Electronics standard 230-702
 7. Mark TE logo, P/N, revision and cavity ID approximately as shown. Max. height 0.1MM.



1513164-1
 SCALE 2:1

◆ ONGOING STATISTICAL PROCESS CONTROL REQUIRED (TOTAL 2 PCS.)

ITEM NO.	QTY.	PART NO.	DESCRIPTION
1	1	1513164-4	OVERMOLDED METAL RING
2	1	1513164-3	METAL RING
3	2	1513167-1	ANCHOR TAB
4	1	1513164-1	ASSEMBLY

<small>THIS DRAWING IS A CONTROLLED DOCUMENT FOR TYCO ELECTRONICS CORPORATION IT IS SUBJECT TO CHANGE AND THE CONTROLLING ENGINEERING ORGANIZATION SHOULD BE CONTACTED FOR THE LATEST REVISION.</small>		DWN MAH 29JAN2007 CHK - APVD - PRODUCT SPEC - APPLICATION SPEC - WEIGHT -	Tyco Electronics Tyco Electronics Rochester, New York 14623 NAME 2.4/5 GHz Dual Band Antenna
DIMENSIONS: mm 	TOLERANCES UNLESS OTHERWISE SPECIFIED: 0 PLC ±0.10 1 PLC ±0.10 2 PLC ±0.05 3 PLC ±0.05 4 PLC ±0.01 ANGLES ±1°	SIZE A3 CAGE CODE 00779 DRAWING NO. C-1513164	RESTRICTED TO - SCALE 3:1 SHEET 1 OF 1 REV K
MATERIAL -	FINISH -	CUSTOMER DRAWING	